

Bypass Tray Type 1027 (B415)

(RoHS Compliant Materials)

Bypass Tray Type 1027 (B415)

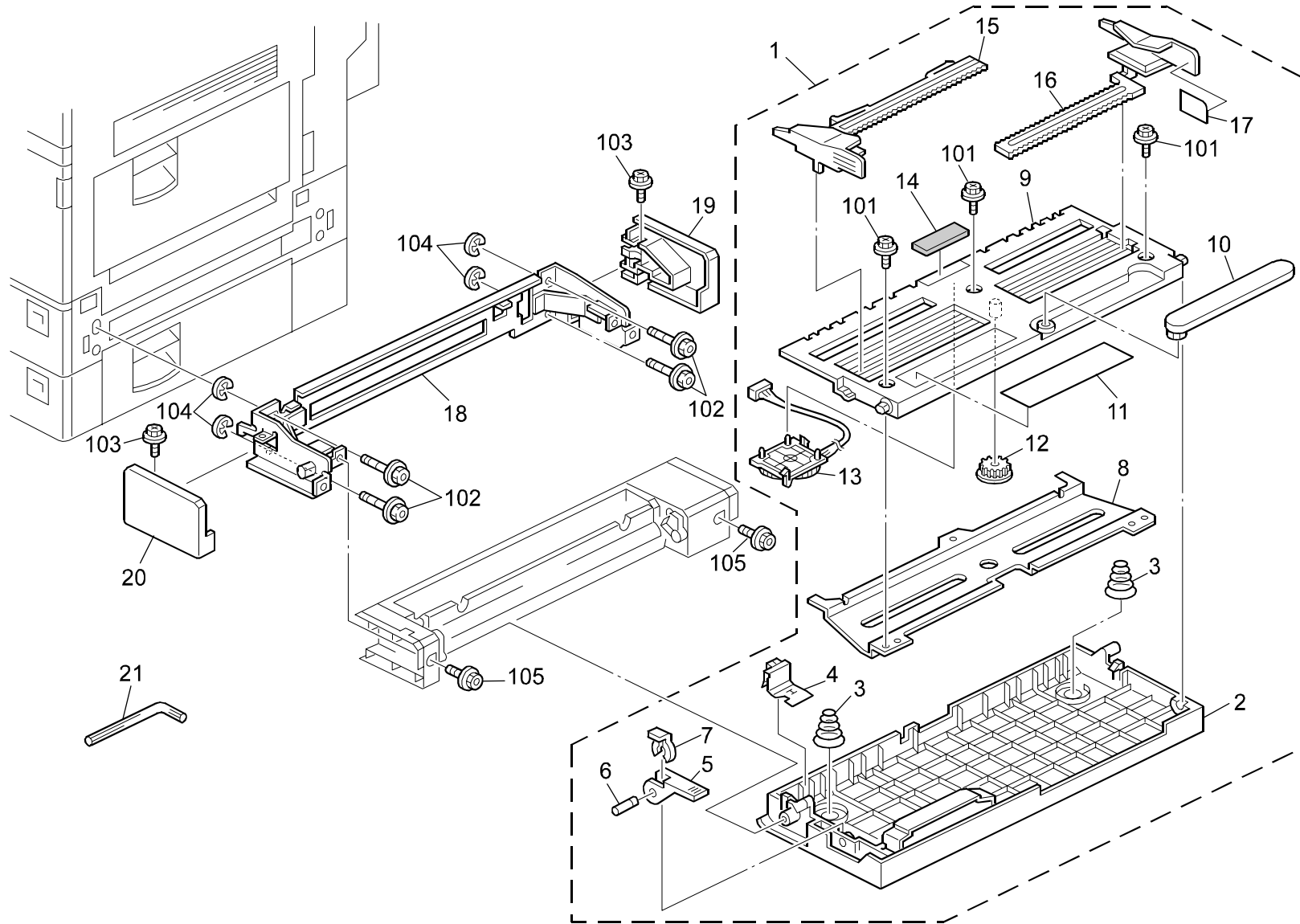
PARTS CATALOG

This catalog gives the numbers and names of parts on this machine.

1.Bypass Tray 1 (B415)	2
2.Bypass Tray 2 (B415)	4
PARTS INDEX.....	7

July ,15 ' 2001

1. Bypass Tray 1 (B415)

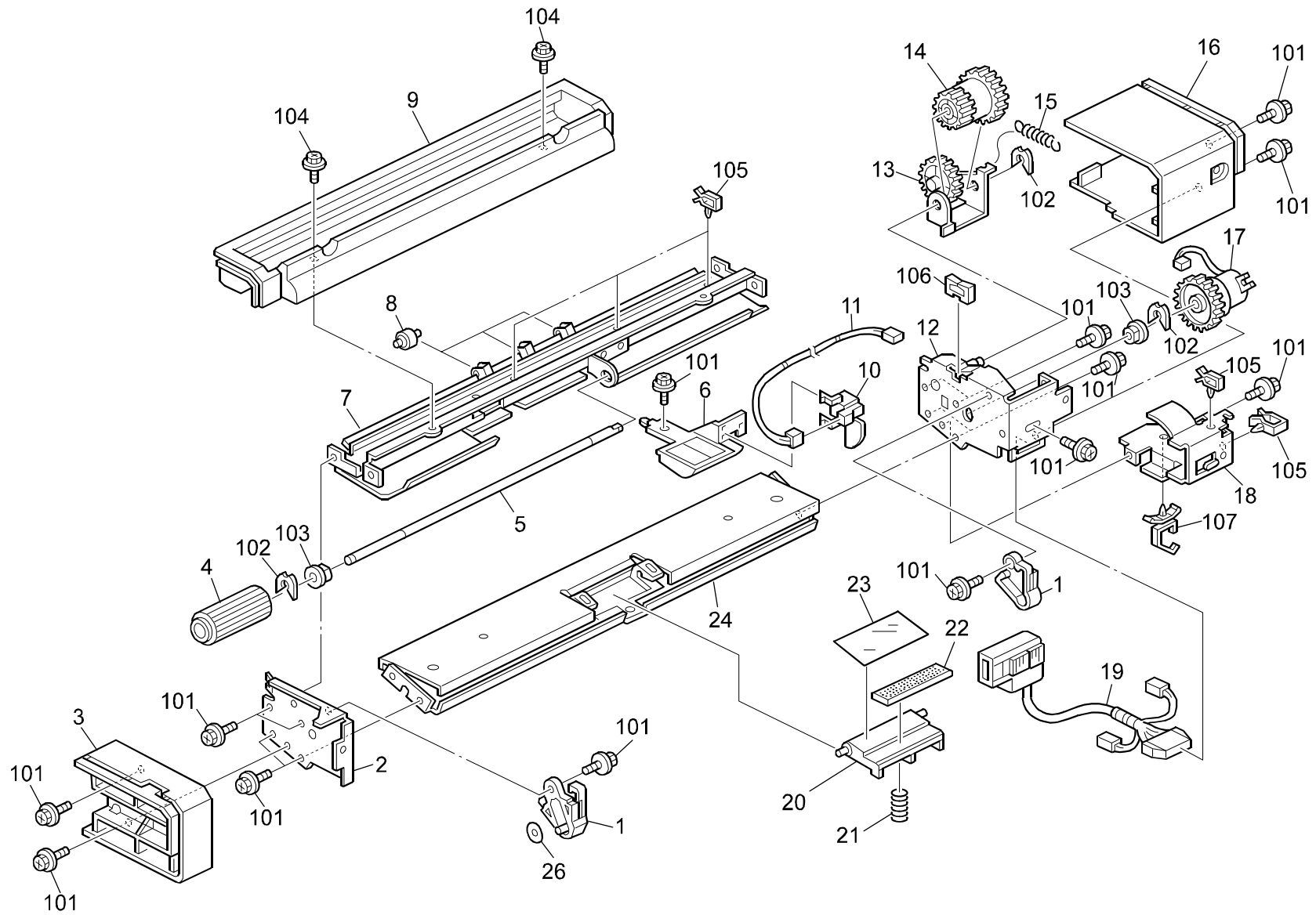


1.Bypass Tray 1 (B415)

Index No.	Part No.	Description	Q'ty Per Assembly
1	B415 6154	Manual Feed Table Ass'y	1
2	B415 6100	Cover - Manual Feed Table	1
3	AA06 3653	Spring - 3.1N	2
4	A899 6108	Ground Plate	1
5	G020 2784	Lever - By-pass Feed Table	1
6	B415 2786	Lever Shaft	1
7	5447 2681	Snap Ring	1
8	A899 6206	Stay	1
9	B415 6103	Base Manual Feed	1
10	B415 6101	Guide - Manual Feed Table	1
11	B415 6109	Decal - Paper Set Direction	1
12	G012 3050	Side Fence Gear	1
13	B192 7255	Rotary Switch:Paper Size Sensor	1
14	5215 2713	Bottom Plate Pad	1
15	B415 6104	Side Fence - Front	1
16	B415 6105	Side Fence - Rear	1
17	B415 6110	Decal - Side Fence	1
18	A896 1055	Holder	1
19	B414 1320	Cover - Holder Rear	1
20	B414 1310	Cover - Holder Front	1
21	A896 1120	Allen Key 2.5	1

Index No.	Part No.	Description	Q'ty Per Assembly
101	0451 3008N	Tapping Screw - M3x8	
102	0804 6115	Hexagonal Set Screw - M4x12.5	
103	0451 3006N	Tapping Screw - 3x6	
104	0720 0030E	Retaining Ring - M3	
105	0804 6113	Hexagonal Set Screw - M3x8	

2. Bypass Tray 2 (B415)



2.Bypass Tray 2 (B415)

Index No.	Part No.	Description	Q'ty Per Assembly
1	A899 6078	Holder:Contact Point:Manual Feed Table	2
2	A899 6160	Side Plate - Front	1
3	B415 6091	Cover - Front	1
4	AF03 1058	Paper Feed Roller	1
5	AA14 1084	Feed Shaft	1
6	A899 6076	Guide - Paper End	1
7	A899 6170	Feed Stay	1
8	AF04 0559	Driven Roller - M9	3
9	B415 6090	Cover - Feed	1
10	G020 2772	By-pass Paper End Sensor	1
11	B415 5255	Harness - Paper End	1
12	A899 6161	Side Plate - Rear	1
13	A899 6180	Input Bracket	1
14	AB01 1202	Gear - Z39/Z31	1
15	AA06 0831	Spring - 3.5n	1
16	B415 6092	Cover - Rear	1
17	AX20 0293	Magnetic Clutch - 0.25n.m Z49	1
18	A899 6182	Drive Bracket	1
19	B415 5250	Harness - Manual Feed Unit	1
20	A190 2715	Friction Pad Holder	1
21	G020 2713	Pressure Spring	1
22	G030 2670	Friction Pad	1
23	A899 6086	Holder Guide	1
24	A899 6164	Separate Stay	1
26	A899 6087	Spring Washer	1

Index No.	Part No.	Description	Q'ty Per Assembly
101	0451 3006N	Tapping Screw - 3x6	
102	0805 0089	Retaining Ring - M4	
103	0805 3480	Bushing - 6mm	
104	0451 3008N	Tapping Screw - M3x8	
105	1105 0283	Clamp	
106	1105 0328	Harness Clamp - ES-0505	
107	1105 0487	Harness Clamp	

Parts Index

Parts Index

Part No.	Description	Page and Index No.
B415 2786	Lever Shaft	2 - 6
B415 5250	Harness - Manual Feed Unit	5 - 19
B415 5255	Harness - Paper End	5 - 11
B415 6090	Cover - Feed	5 - 9
B415 6091	Cover - Front	5 - 3
B415 6092	Cover - Rear	5 - 16
B415 6100	Cover - Manual Feed Table	2 - 2
B415 6101	Guide - Manual Feed Table	2 - 10
B415 6103	Base Manual Feed	2 - 9
B415 6104	Side Fence - Front	2 - 15
B415 6105	Side Fence - Rear	2 - 16
B415 6109	Decal - Paper Set Direction	2 - 11
B415 6110	Decal - Side Fence	2 - 17
B415 6154	Manual Feed Table Ass'y	2 - 1

Part No.	Description	Page and Index No.
A190 2715	Friction Pad Holder	5 - 20
A896 1055	Holder	2 - 18
A896 1120	Allen Key 2.5	2 - 21
A899 6076	Guide - Paper End	5 - 6
A899 6078	Holder:Contact Point:Manual Feed Table	5 - 1
A899 6086	Holder Guide	5 - 23
A899 6087	Spring Washer	5 - 26
A899 6108	Ground Plate	2 - 4
A899 6160	Side Plate - Front	5 - 2
A899 6161	Side Plate - Rear	5 - 12
A899 6164	Separate Stay	5 - 24
A899 6170	Feed Stay	5 - 7
A899 6180	Input Bracket	5 - 13
A899 6182	Drive Bracket	5 - 18
A899 6206	Stay	2 - 8
B192 7255	Rotary Switch:Paper Size Sensor	2 - 13
B414 1310	Cover - Holder Front	2 - 20
B414 1320	Cover - Holder Rear	2 - 19
G012 3050	Side Fence Gear	2 - 12
G020 2713	Pressure Spring	5 - 21
G020 2772	By-pass Paper End Sensor	5 - 10
G020 2784	Lever - By-pass Feed Table	2 - 5
G030 2670	Friction Pad	5 - 22

Part No.	Description	Page and Index No.
AA06 0831	Spring - 3.5n	5 - 15
AA06 3653	Spring - 3.1N	2 - 3
AA14 1084	Feed Shaft	5 - 5
AB01 1202	Gear - Z39/Z31	5 - 14
AF03 1058	Paper Feed Roller	5 - 4
AF04 0559	Driven Roller - M9	5 - 8
AX20 0293	Magnetic Clutch - 0.25n.m Z49	5 - 17

Part No.	Description	Page and Index No.
0451 3006N	Tapping Screw - 3x6	5 - 101
0451 3006N	Tapping Screw - 3x6	2 - 103
0451 3008N	Tapping Screw - M3x8	5 - 104
0451 3008N	Tapping Screw - M3x8	2 - 101
0720 0030E	Retaining Ring - M3	2 - 104
0804 6113	Hexagonal Set Screw - M3x8	2 - 105
0804 6115	Hexagonal Set Screw - M4x12.5	2 - 102
0805 0089	Retaining Ring - M4	5 - 102
0805 3480	Bushing - 6mm	5 - 103
1105 0283	Clamp	5 - 105
1105 0328	Harness Clamp - ES-0505	5 - 106
1105 0487	Harness Clamp	5 - 107

Part No.	Description	Page and Index No.
5215 2713	Bottom Plate Pad	2 - 14
5447 2681	Snap Ring	2 - 7

Part No.	Description	Page and Index No.
----------	-------------	--------------------